



HMAS COONAWARRA WHARF PRECINCT WORKS

DARWIN, NT

MAINTENANCE - MARINE INFRASTRUCTURE

PROJECT

HMAS Coonawarra Wharf Precinct Works

CLIENT

Department of Defence

DDRIC CONTACT

Tom Hutcheson 0412 319 097

DESCRIPTION

HMAS Coonawarra is a Royal Australian Navy (RAN) base located in Darwin, Northern Territory, and is home to twelve fleet units of the RAN.

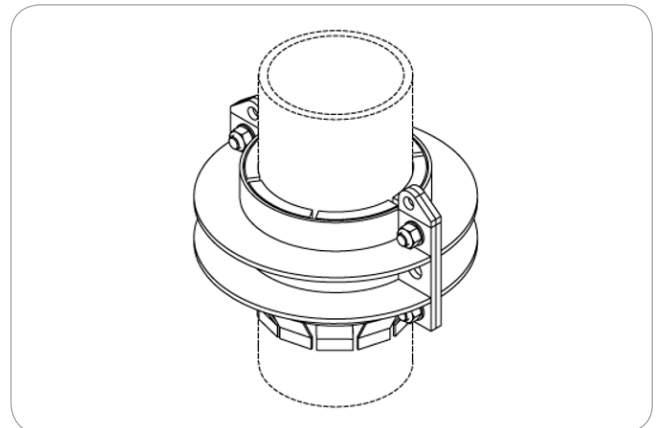
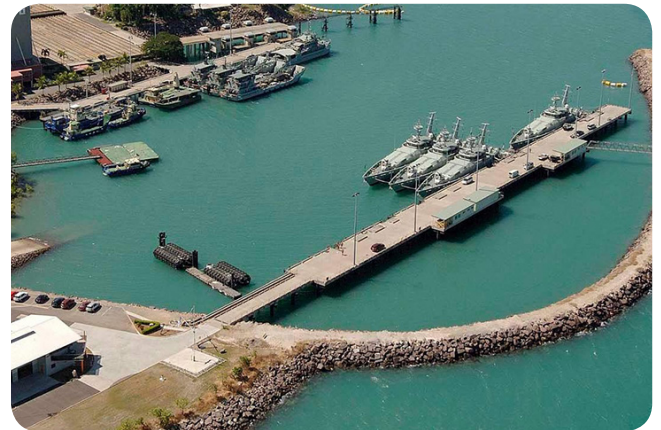
DDR has been engaged to perform the following scope of works at Attack and Fremantle Wharves:

- ▶ Removal of the old wharf mooring system (nightriders).
- ▶ Construction and installation of the new wharf mooring system and addition of new access platforms to the existing wharf access platforms.

The works will ensure the ongoing capability of accommodating Australia's fleet of Armidale-class patrol boats well into the future.

HIGHLIGHTS

- ▶ Underwater welding of mooring tubes to fender piles.
- ▶ Wharves to remain operational throughout duration of the project.
- ▶ Working with the challenges of Darwin's 8m tides.
- ▶ Works completed in 6 stages. HOTO for each stage to be fully signed off prior to commencing works on the next stage.
- ▶ First project for DDR in NT under the ABCC's Workplace Relations Management Plan.
- ▶ Utilising local steel fabricators to supply and install new stairways and mooring tubes.



IMAGES (FROM TOP TO BOTTOM)

- ▶ Aerial view of Fremantle Wharf in the foreground and Attack Wharf in the background.
- ▶ Sliding collar 3 dimensional drawing.
- ▶ Fender piles example.